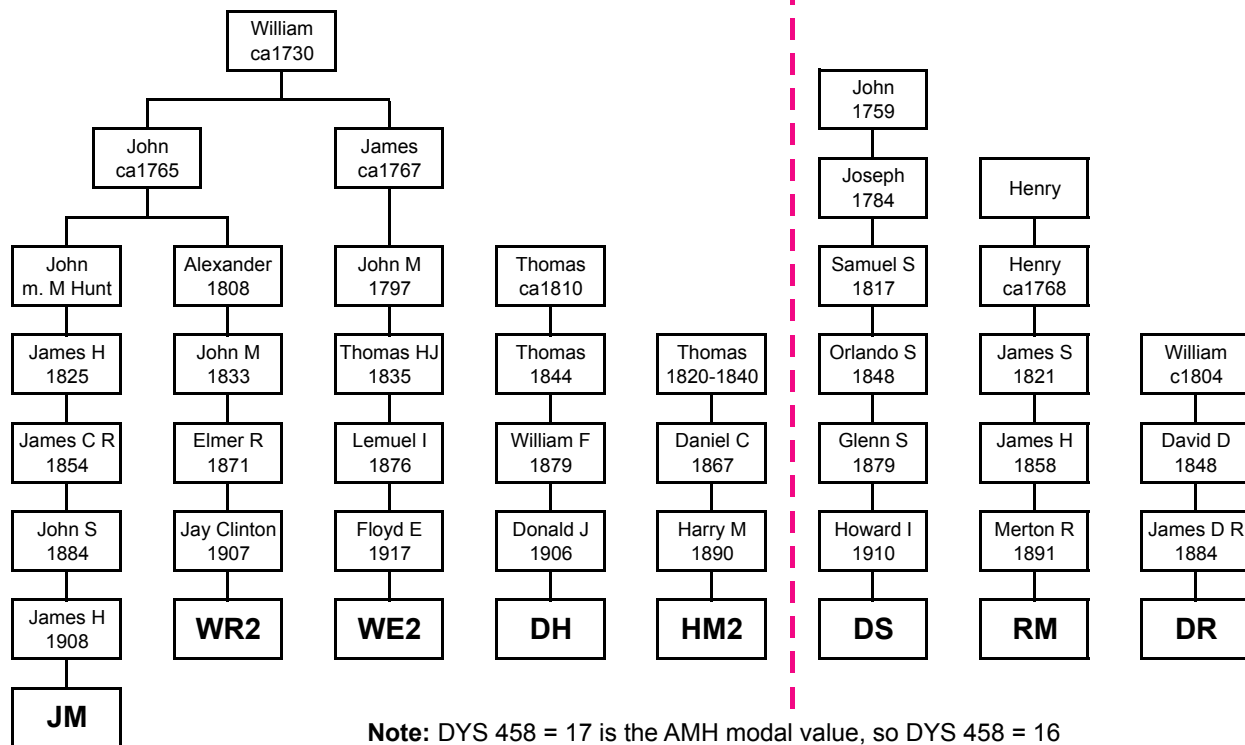


→ These kindreds do not appear in Fife.

DYS 458 = 18

DYS 458 = 17



Note: DYS 458 = 17 is the AMH modal value, so DYS 458 = 16 is likely to be the mutation. This suggests that the five men on the left are more closely related to one another than to the others, but gives little information about how closely the others may be related to one another. We do not have a lineage for **FM**.

Differences from Ewing Modal

All of the men in Group 4 are far from the Ewing modal, on the order of genetic distance 20, so it makes little sense to list their differences from the Ewing modal. On the other hand, if a subgroup has more than two individuals, we can calculate a modal for the subgroup and compare its members with that. We have done that with Group 4a below. For what it is worth, McEwen's R1bSTR-21 is the closest of his haplotype clusters to the Group 4a modal, but it is still at genetic distance 7 from it.

Differences from Group 4a modal

DYS 393 = 14	RM
DYS 385a = 12	DS
DYS 458 = 17	DS, RM, DR
DYS 464d = 18	DS
CDYa = 35	RM
DYS 438 = 11	JM
CDYb = 37	DR
DYS460 = 12	HM2
GATA-H4 = 13	HM2
DYS456 = 15	FM